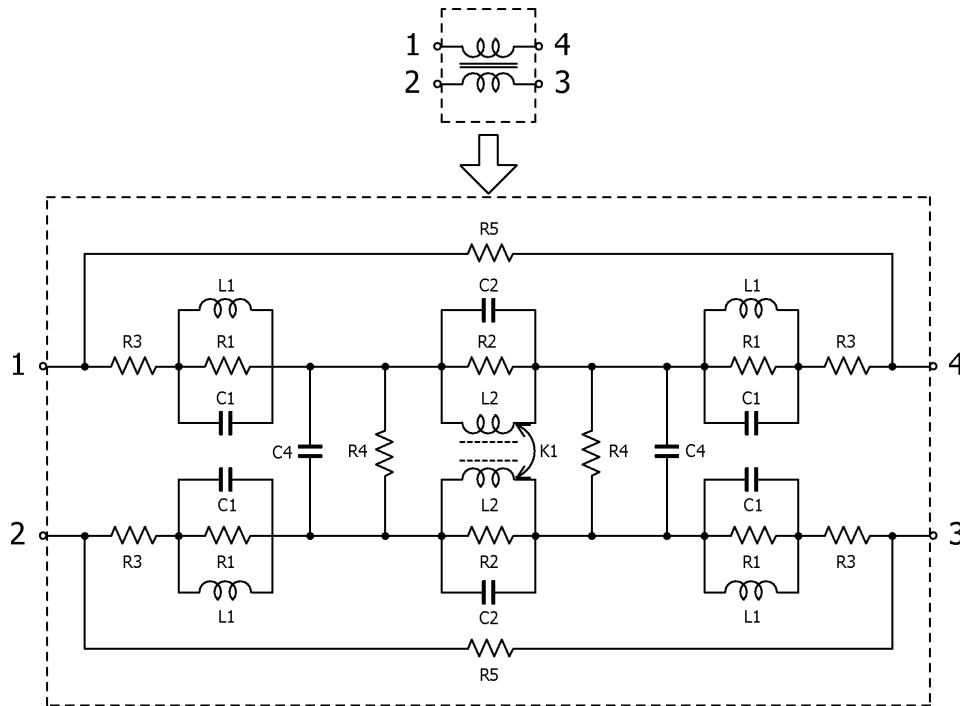


Signal Line Common Mode Chokes/Filters

Feb. 27, 2026
Simple Model

Commercial Grade for Signal Line / TCM0403M series

Circuit Diagram



Circuit Parameters

Part No.	R1[ohm]	L1[nH]	C1[pF]	R2[ohm]	L2[nH]	C2[pF]	R3[ohm]	R4[Gohm]	C4[pF]	R5[Gohm]	K1
TCM0403M-120-2P-T210	88	0.75	0.01	1,190	13.3	0.048	0.500	1	0.10	1	1.00000
TCM0403M-350-2P-T210	232	2.2	0.01	2,520	39.6	0.048	1.000	1	0.14	1	1.00000
TCM0403M-900-2P-T210	238	4.2	0.01	3,170	154	0.074	1.500	1	0.48	1	1.00000