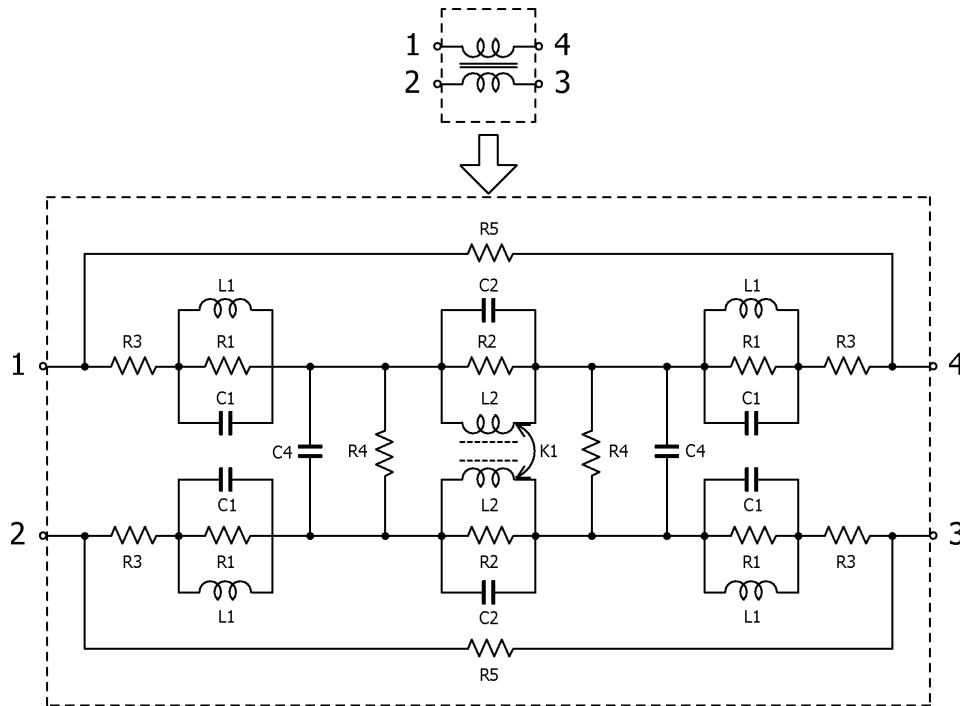


Signal Line Common Mode Chokes/Filters

Feb. 27, 2026
Simple Model

Commercial Grade for Signal Line / TCM0605M series

Circuit Diagram



Circuit Parameters

Part No.	R1[ohm]	L1[nH]	C1[pF]	R2[ohm]	L2[nH]	C2[pF]	R3[ohm]	R4[Gohm]	C4[pF]	R5[Gohm]	K1
TCM0605M-650-2P-T201	190	4.2	0.01	3,960	134	0.113	1.300	1	0.64	1	1.00000
TCM0605M-900-2P-T201	185	3.8	0.01	2,780	177	0.107	1.300	1	0.59	1	1.00000