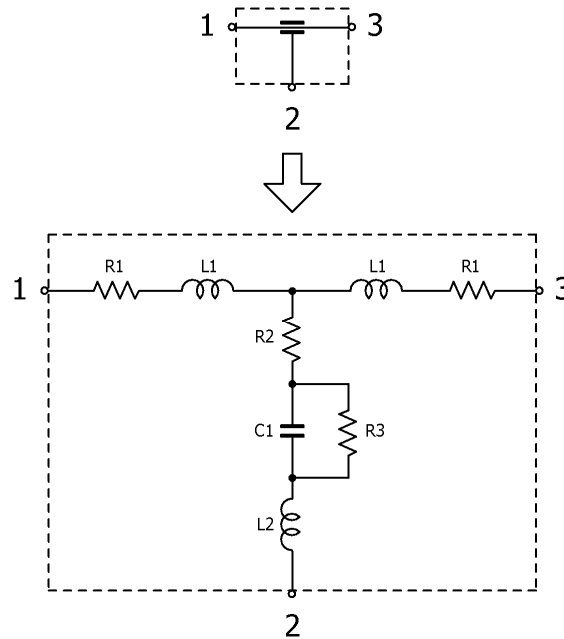


3-Terminal Feed Through Multilayer Ceramic Capacitors

June 29, 2015
Simple Model

Commercial Grade (Three-terminal Feed-through Type) / CKD610JB series

Circuit Diagram



Circuit Parameters

Part No.	C1[pF]	L1[nH]	L2[nH]	R1[ohm]	R2[ohm]	R3[Gohm]
CKD610JB0J475M060AA	4,700,000	0.140	0.028	0.0016	0.0020	0.0210
CKD610JB0J475M060DA	4,700,000	0.140	0.028	0.0016	0.0020	0.0210
CKD610JB0J475S060AA	4,700,000	0.140	0.028	0.0016	0.0020	0.0210
CKD610JB0J475S060DA	4,700,000	0.140	0.028	0.0016	0.0020	0.0210