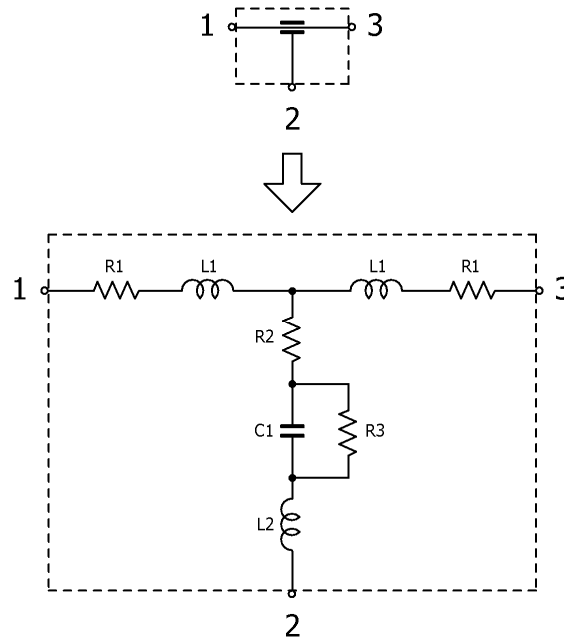


3-Terminal Feed Through Multilayer Ceramic Capacitors

June 29, 2015
Simple Model

Commercial Grade (Three-terminal Feed-through Type) / CKD61BJB series

Circuit Diagram



Circuit Parameters

Part No.	C1[pF]	L1[nH]	L2[nH]	R1[ohm]	R2[ohm]	R3[Gohm]
CKD61BJB0J105M060AA	1,000,000	0.170	0.015	0.0070	0.0025	0.100
CKD61BJB0J105M060DA	1,000,000	0.170	0.015	0.0070	0.0025	0.100
CKD61BJB0J105S060AA	1,000,000	0.170	0.015	0.0070	0.0025	0.100
CKD61BJB0J105S060DA	1,000,000	0.170	0.015	0.0070	0.0025	0.100
CKD61BJB0J475M060AA	4,700,000	0.170	0.015	0.0040	0.0018	0.0210
CKD61BJB0J475M060DA	4,700,000	0.170	0.015	0.0040	0.0018	0.0210
CKD61BJB0J475S060AA	4,700,000	0.170	0.015	0.0040	0.0018	0.0210
CKD61BJB0J475S060DA	4,700,000	0.170	0.015	0.0040	0.0018	0.0210