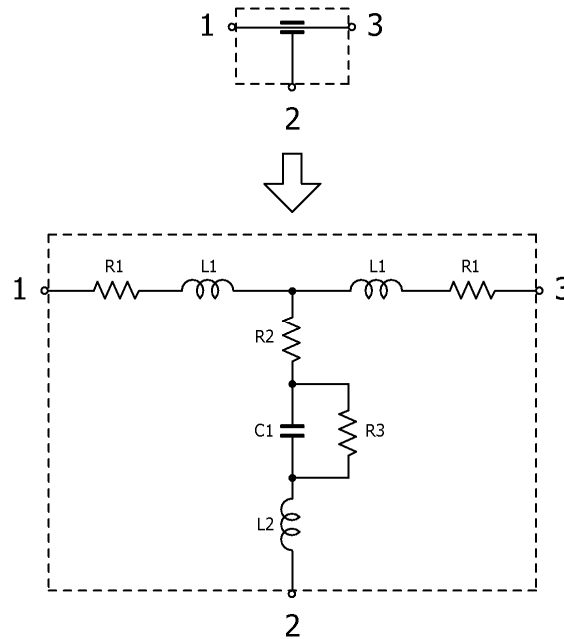


3-Terminal Feed Through Multilayer Ceramic Capacitors

June 29, 2015
Simple Model

Commercial Grade (Three-terminal Feed-through Type) / CKD710JB series

Circuit Diagram



Circuit Parameters

Part No.	C1[pF]	L1[nH]	L2[nH]	R1[ohm]	R2[ohm]	R3[Gohm]
CKD710JB0J474M030BA	470,000	0.025	0.025	0.0043	0.0042	0.210
CKD710JB0J474M030EA	470,000	0.025	0.025	0.0043	0.0042	0.210
CKD710JB0J474S030BA	470,000	0.025	0.025	0.0043	0.0042	0.210
CKD710JB0J474S030EA	470,000	0.025	0.025	0.0043	0.0042	0.210
CKD710JB0G105M030BA	1,000,000	0.017	0.026	0.0030	0.0032	0.100
CKD710JB0G105M030EA	1,000,000	0.017	0.026	0.0030	0.0032	0.100
CKD710JB0G105S030BA	1,000,000	0.017	0.026	0.0030	0.0032	0.100
CKD710JB0G105S030EA	1,000,000	0.017	0.026	0.0030	0.0032	0.100
CKD710JB0G435M045BA	4,300,000	0.019	0.027	0.0022	0.0026	0.0232
CKD710JB0G435M045EA	4,300,000	0.019	0.027	0.0022	0.0026	0.0232