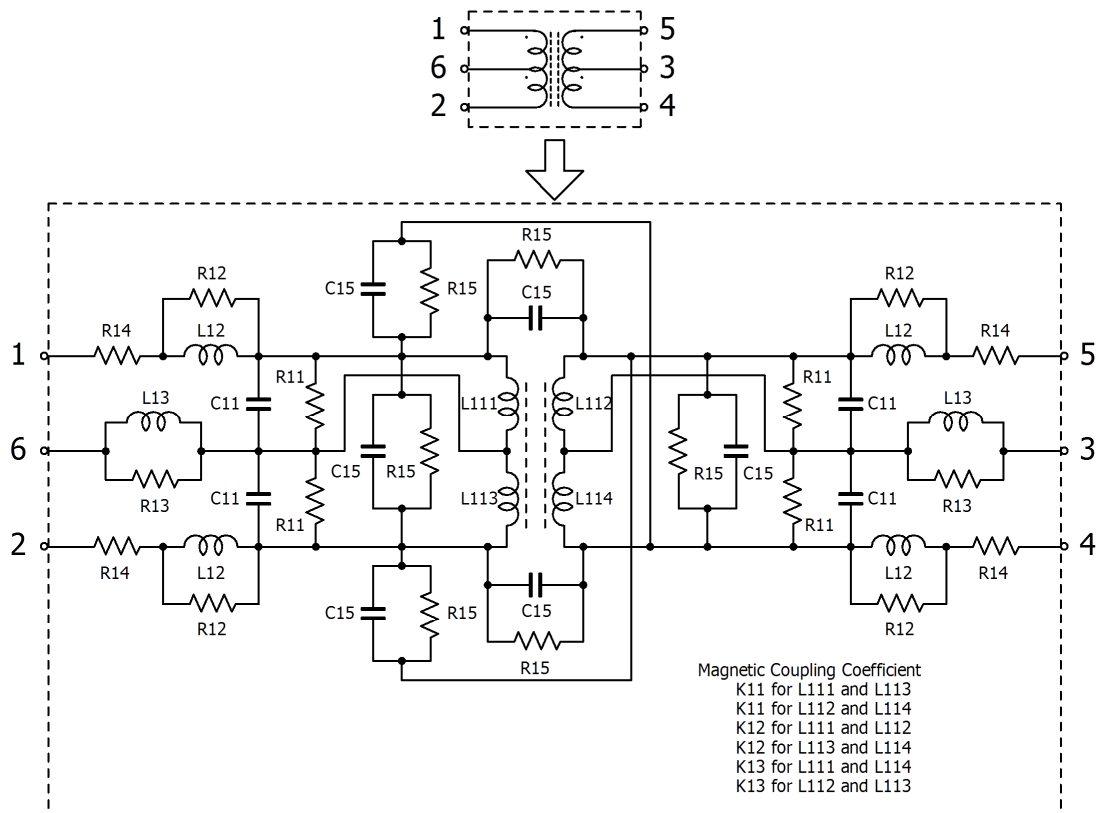


## Pulse Transformers

June 29, 2015  
Simple Model

ALT / ALT4532M-171-T001 series

### Circuit Diagram



### Circuit Parameters

Part No.	C11 [pF]	C15 [pF]	L111 [uH]	L112 [uH]	L113 [uH]	L114 [uH]	L12 [nH]	L13 [nH]	R11 [ohm]	R12 [ohm]	R13 [ohm]	R14 [ohm]	R15 [Gohm]	K11	K12	K13
ALT4532M-171-T001	0.1	4.7	54	54	54	54	11.5	10	3,600	140	280	1.6	100	0.99953	0.99953	0.99963