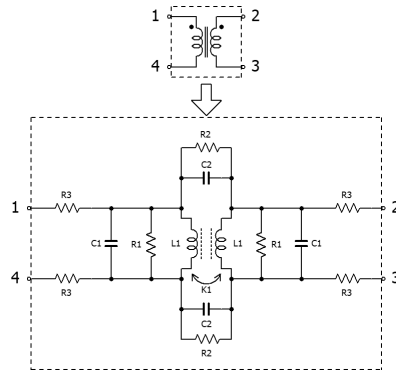


Pulse Transformers for PLC

Feb. 27, 2026
Simple Model

Automotive Grade / AMT45S series

Circuit Diagram



Circuit Parameters

Part No.	L1[uH]	C1[pF]	R1[ohm]	C2[pF]	R2[Megohm]	R3[ohm]	K1
AMT45S-150-2P-TL000	2.3	0.03	15,000	7.50	20	0.400	0.99850